

Meclube Model SS250

Made of STAINLESS STEEL AISI 316

Compression ratio: 1:1

Max flow-rate: 250 l/min

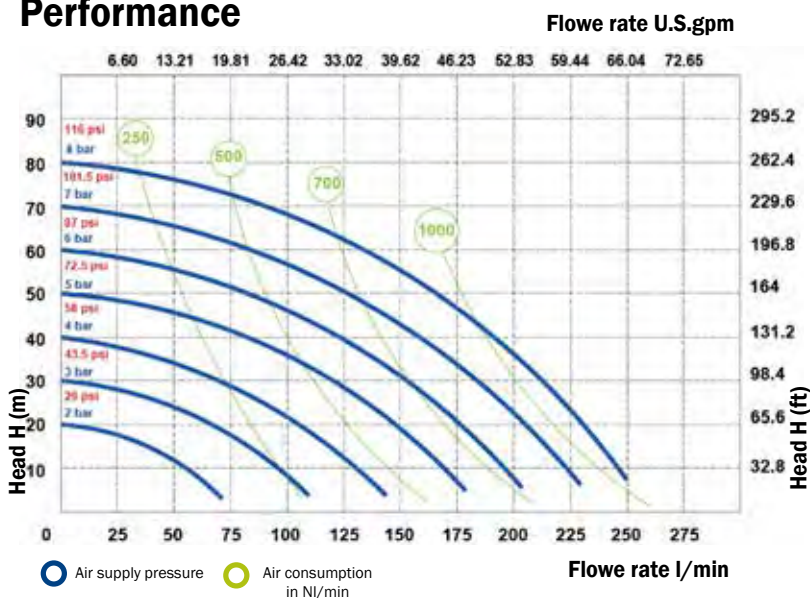
Fluid connections: 1.1/4" BSP



EX II 3/3 GD h IIB T4 135°C ATEX zone2

| ARTICLE | CASING | DIAPHRAGM | BALLS | GASKET | FLUIDS |
|--------------|-------------|-------------|-------------|--------|--|
| 028-S250-AB1 | SS AISI 316 | HYTREL+PTFE | SS AISI 316 | NBR | oil-exhausted oil-diesel fuel |
| 028-S250-AB2 | SS AISI 316 | HYTREL+PTFE | PTFE | VITON | water-anti-freeze-windscreen-urea-AdBlue |
| 028-S250-AB3 | SS AISI 316 | HYTREL+PTFE | PTFE | PTFE | aggressive fluids (acids and basics) |
| 028-S250-AB4 | SS AISI 316 | HYTREL+PTFE | EPDM | EPDM | abrasive liquids - alkaline/basic |

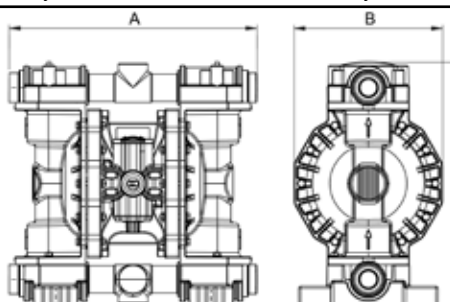
Performance



The curves and performance values refer to pumps with submerged suction and a free delivery outlet with water at 20°C, and vary according to the construction material.

Technical data

| | |
|-------------------------|---------------------------|
| Fluid connections: | 1.1/4" BSP |
| Air connection: | 1/2" BSP |
| Max flow-rate: | 250 l/min |
| Max air pressure: | 8 bar |
| Max delivery head: | 80 m |
| Max Suction Lift Dry: | 5,0 m |
| Max Suction Lift Wet: | 9,8 m |
| Max Solid passing: | 7,5 mm |
| Noise level: | 75 dB |
| Displacement per cycle: | 700 cm³ |
| Max Viscosity: | 35000 cps |



Dimensions

SS250

| | |
|-----------------|--------------|
| A (mm) | 357 |
| B (mm) | 222 |
| C (mm) | 364 |
| Gross weight kg | 18,39 |
| MAX Temperature | -20°C + 95°C |